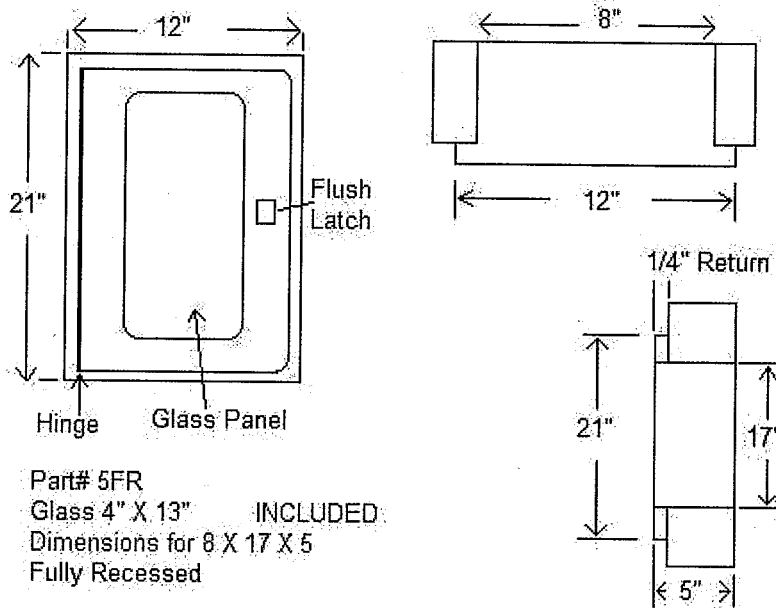


**Part# 5FR – Fully Recessed Extinguisher Cabinet**  
**8" x 17" x 5"**



**Features:**

- Fully recessed extinguisher cabinet
- Full glass viewing panel
- Grey baked enamel finish
- Accommodates a 5 LB dry chemical

**Options**

- Stainless steel tub and front 304-#4 satin finish (Part# 5FRSS)