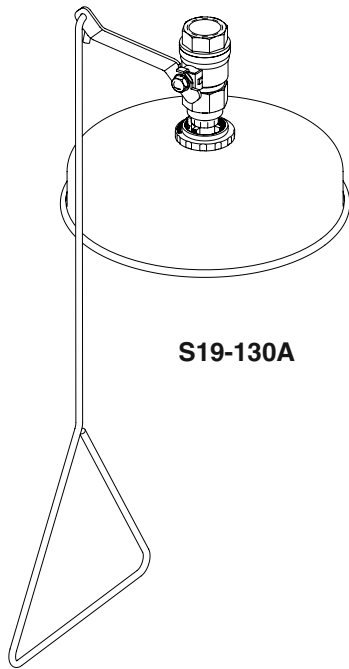


S19-130



S19-130A

# Installation

## S19-130

**Drench Shower Vertical Supply with Plastic Showerhead**

**Douche d'urgence verticale avec douche en plastique**

**Ducha de alto flujo de suministro vertical con cabezal rociador de plástico**

## S19-130A

**Drench Shower Vertical Supply with Stainless Steel Showerhead**

**Douche d'urgence verticale avec douche en acier inox**

**Ducha de alto flujo de suministro vertical con cabezal rociador de acero inoxidable**

### Table of Contents

Pre-Installation Information . . . . .	2
Installation Instructions . . . . .	3
S19-130 Components and Parts List . . . . .	4
S19-130A Components and Parts List . . . . .	5

### Table des matières

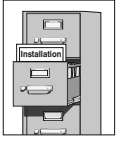
Avant l'installation . . . . .	6
Instructions d'installation . . . . .	7
S19-130 Composantes et Liste des pièces. . . . .	8
S19-130A Composantes et Liste des pièces . . . . .	9

### Contenido

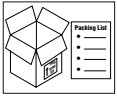
Información previa a la instalación . . . . .	10
Instrucciones de instalación . . . . .	11
S19-130 Componentes y Lista de piezas . . . . .	12
S19-130A Componentes y Lista de piezas. . . . .	13



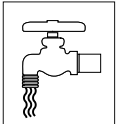
## IMPORTANT



Read this installation manual completely to ensure proper installation, then file it with the owner or maintenance department. Compliance and conformity to drain requirements and other local codes and ordinances is the responsibility of the installer.



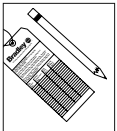
Separate parts from packaging and make sure all parts are accounted for before discarding any packaging material. If any parts are missing, do not begin installation until you obtain the missing parts.



Flush the water supply lines before beginning installation and after installation is complete. Test the unit for leaks and adequate water flow. Main water supply to the eyewash should be "ON" at all times. Provisions shall be made to prevent unauthorized shutoff.



The ANSI Z358.1 standard requires an uninterrupted supply of flushing fluid. Bradley plumbed emergency fixtures require a minimum of 30 PSI (0.21 MPa) flowing pressure. Flushing fluid should be tepid per ANSI Z358.1.



The inspection and testing results of this equipment should be recorded weekly to verify proper operation. This equipment should be inspected annually to ensure compliance with ANSI Z358.1.



Workers who may come in contact with potentially hazardous materials should be trained regarding the placement and proper operation of emergency equipment per ANSI Z358.1.

For questions regarding the operation or installation of this product, visit [www.bradleycorp.com](http://www.bradleycorp.com) or call 1-800-BRADLEY.



Product warranties and service parts information may also be found under "Products" on our web site at [www.bradleycorp.com](http://www.bradleycorp.com).

## Installation

### Supplies Required:

- Teflon tape and pipe sealant
- Piping to 1" NPT water supply inlet
- Adequate supply pipe supports
- Minimum 4" (102 mm) drain to accommodate 30 gallons (115 liters) per minute discharge for shower waste
- Sign-mounting hardware



Local codes may require the installation of a backflow prevention valve to complete proper installation. Compliance with local codes is the responsibility of the installer. Valve must be tested annually to verify that it is functioning properly. Backflow prevention valves are not included with the fixture and may be supplied by the contractor or purchased from Bradley Corporation.

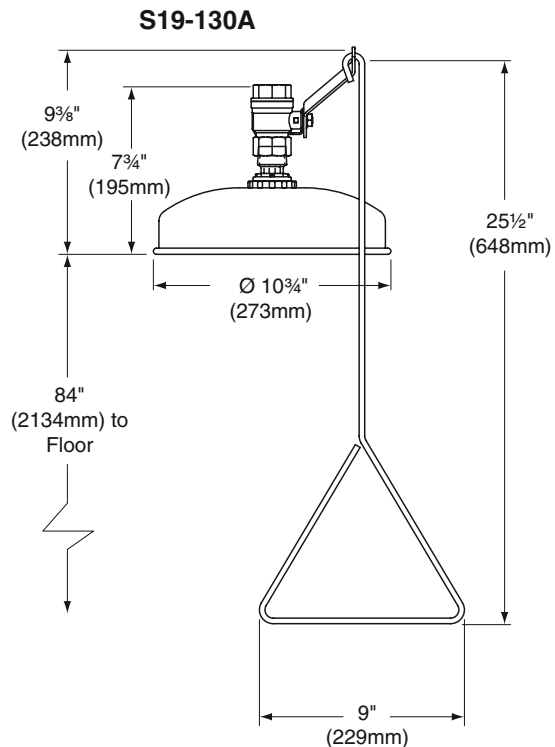
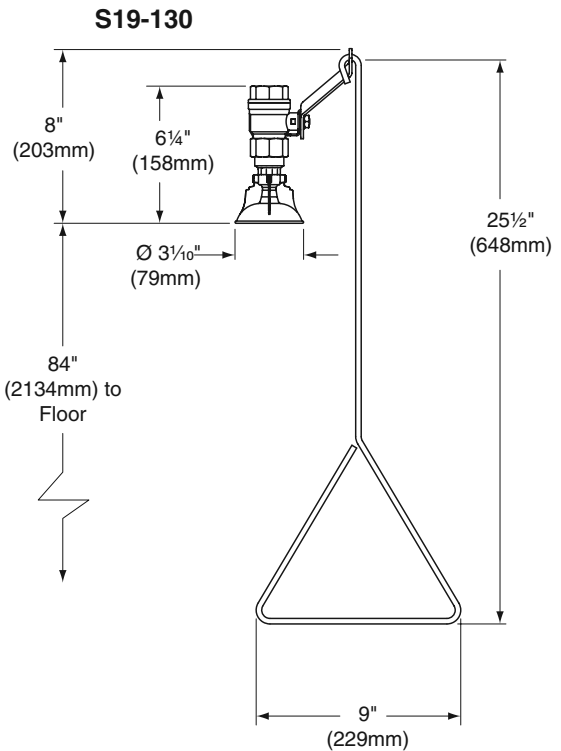
### Step 1: Assemble components

1. Assemble the components as shown on page 4 (S19-130) or page 5 (S19-130A).
  - Apply pipe sealant to all male-threaded pipe joints.
  - Use the rubber grip pad provided or a strap wrench around pipes when tightening to prevent marring. Place the grip pad on the pipe, then put the wrench over the grip pad and turn the pipe with the wrench.
  - Bottom edge of showerhead should be 84" (2134mm) from the floor.

### Step 2: Connect water supply

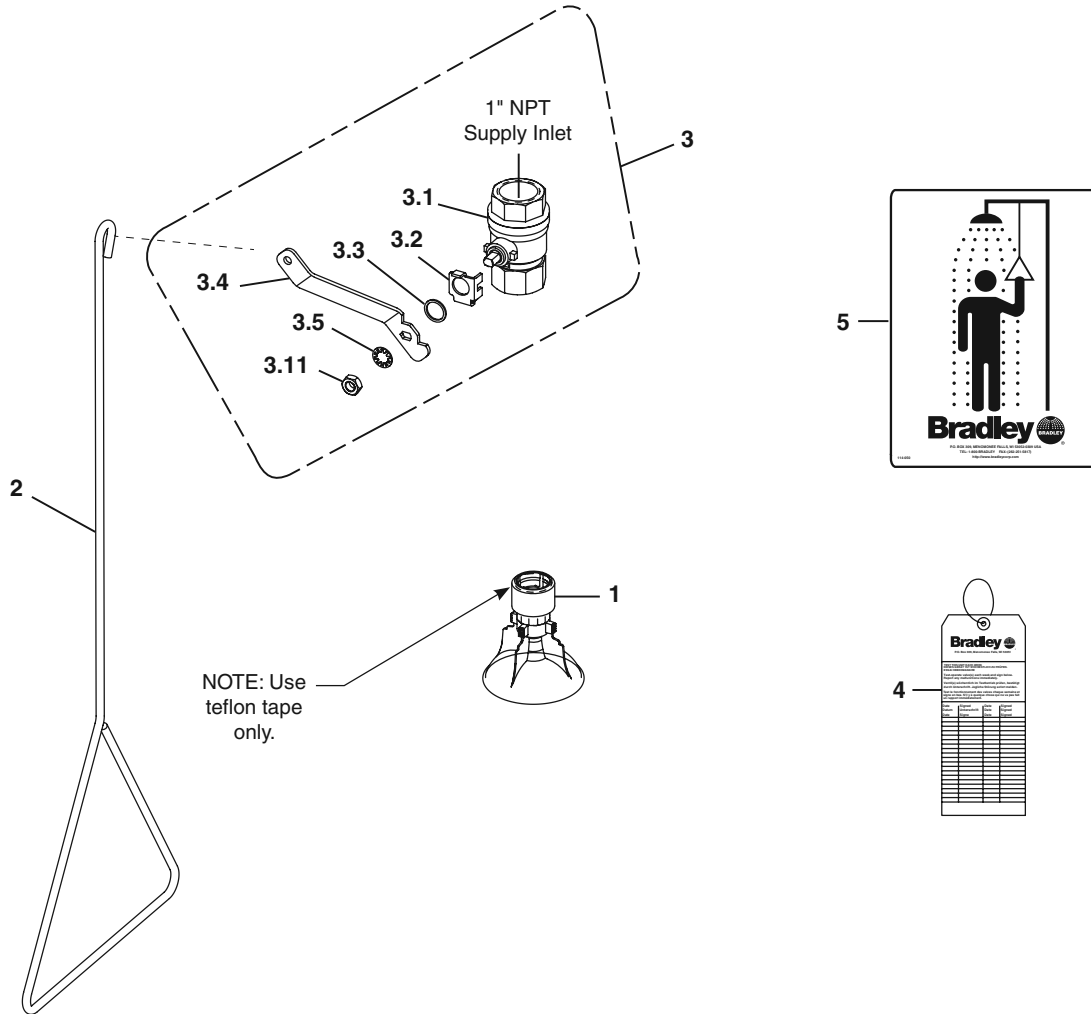
**IMPORTANT! Do not rely on Bradley's Drench Shower to support supply piping.**

1. Connect water supply piping to 1" NPT inlet on unit (piping supplied by installer). Provide adequate supports (supplied by installer) for supply pipe using pipe hangers or other means.
2. Mount the safety sign to the wall using sign-mounting hardware supplied by installer.



All dimensions assume standard thread engagement. Variations in manufacturing allow for +/- 1/8" (3mm) per threaded joint. To find the tolerance of a dimension, add the number of thread joints in between a dimension and multiply it by 1/8" (3mm).

## Assembly of Components and Parts List - S19-130

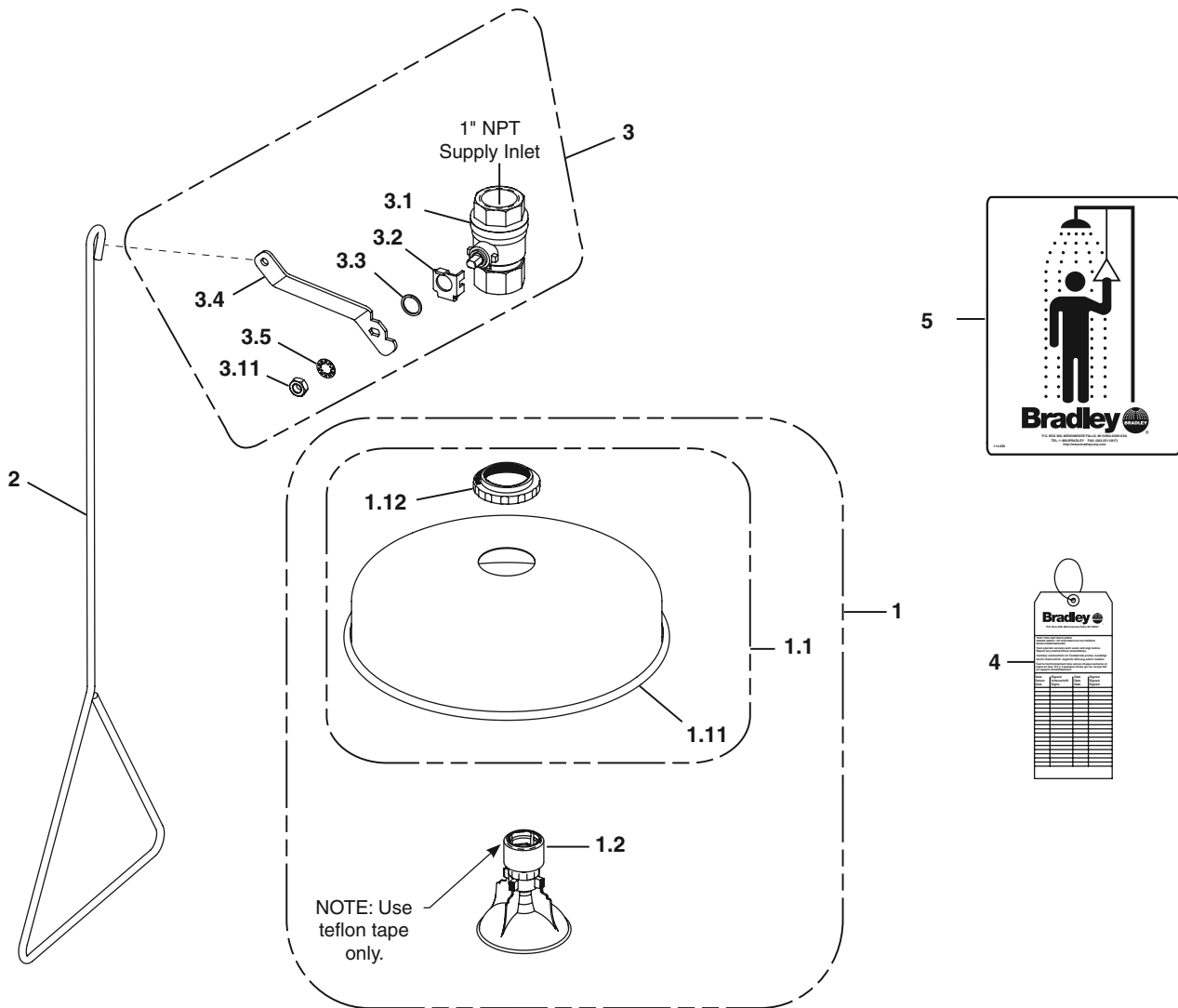


Items 3.1–3.5 come preassembled as Item 3.

Item	Part No.	Qty.	Description
1	S24-188	1	Plastic Showerhead Assembly
2	128-156A	1	Pull Rod - 25½" Long
3	S30-060	1	Stay-Open Ball Valve Assembly
3.1	S27-278	1	Ball Valve with Jam Nut
3.11	110-214	1	Jam Nut (only)
3.2	140-720	1	Stop Bracket

Item	Part No.	Qty.	Description
3.3	124-048	1	Washer
3.4	128-132	1	Handle
3.5	142-002DC	1	Lockwasher
4	204-421	1	Emergency Inspection Tag
5	114-050	1	Safety Sign

## Assembly of Components and Parts List - S19-130A



Items 1.1–1.2 come preassembled as Item 1.  
 Items 3.1–3.5 come preassembled as Item 3.

Item	Part No.	Qty.	Description	Item	Part No.	Qty.	Description
1	S24-189	1	Stainless Steel Showerhead Assy.	3.11	110-214	1	Jam Nut (only)
1.1	S24-193	1	Stainless Steel Shroud Kit	3.2	140-720	1	Stop Bracket
1.11	187-053	1	Showerhead Shell	3.3	124-048	1	Washer
1.12	154-147	1	Ring	3.4	128-132	1	Handle
1.2	S24-188	1	Plastic Showerhead Assembly	3.5	142-002DC	1	Lockwasher
2	128-156A	1	Pull Rod - 25½" Long	4	204-421	1	Emergency Tag
3	S30-060	1	Stay-Open Ball Valve Assembly	5	114-050	1	Safety Sign
3.1	S27-278	1	Ball Valve with Jam Nut				