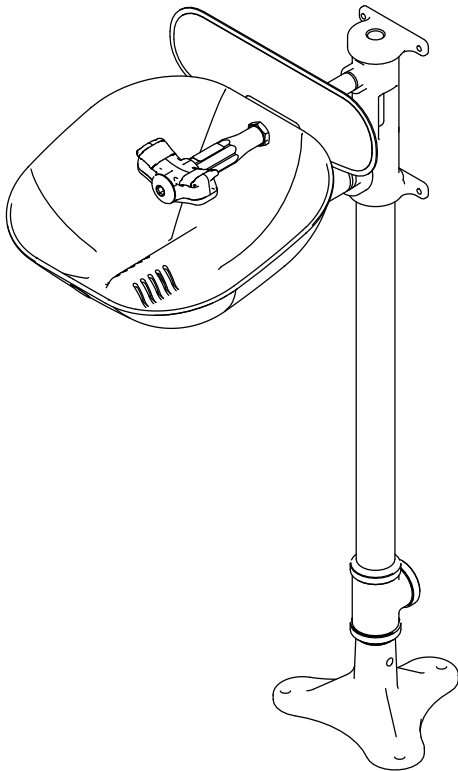


Installation



S19214 Series

Halo™ Pedestal-Mount Eyewash or Eye/Face Wash

Patents Pending

Halo™ douche oculaire/ faciale sur pied

Brevets en instance

Halo™ Lavaojos/rostro montado en pedestal

Patentes pendiente

Table of Contents

Table of Contents	2
Pre-Installation Information	3
Halo Pre-Configured Models	4
Product Configuration	5
Dimensions	6
Installation Instructions	7
Service Parts — Bowl and Hub	8–9
Service Parts — Eyewash, Eye/Face Wash and Bowl Covers	10–12
Service Parts — Base and Drain	13
Service Parts — Optional Accessories	14
Avant l'installation	15
Configuration du produit	16
Dimensions	17
Instructions d'installation	18
Pièces de remplacement — Récepteur et moyeu	19–20
Pièces de remplacement — Douche oculaire, Douche oculaire/ faciale et couvercle anti-poussières	21–23
Pièces de remplacement — Bride et drain	24
Pièces de remplacement — Accessoires en option	25
Información previa a la instalación	26
Configuración del producto	27
Dimensiones	28
Instrucciones de instalación	29
Piezas de repuesto — Receptor y buje	30–31
Piezas de repuesto — Lavaojos, lavaojos/rostro y cubierta contrapolvo	32–34
Piezas de repuesto — Base y drenaje	35
Piezas de repuesto — Accesorios opcionales	36

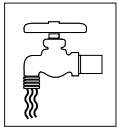
IMPORTANT!



Read this installation manual completely to ensure proper installation, then file it with the owner or maintenance department. Compliance and conformity to drain requirements and other local codes and ordinances is the responsibility of the installer.



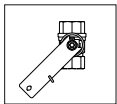
Separate parts from packaging and make sure all parts are accounted for before discarding any packaging material.



Flush the water supply lines before beginning installation and after installation is complete. Test the unit for leaks and adequate water flow. Main water supply to the eyewash should be "ON" at all times. Provisions shall be made to prevent unauthorized shutoff.



The ANSI Z358.1 standard requires an uninterrupted supply of flushing fluid. Bradley plumbed emergency fixtures require a minimum of 30 PSI (0.21 MPa) flowing pressure. Flushing fluid should be tepid per ANSI Z358.1.



Self-closing spring-loaded valves are not UL classified to ANSI Z358.1.



The inspection and testing results of this equipment should be recorded weekly to verify proper operation. This equipment should be inspected annually to ensure compliance with ANSI Z358.1.



Workers who may come in contact with potentially hazardous materials should be trained regarding the placement and proper operation of emergency equipment per ANSI Z358.1.



For questions regarding the operation or installation of this product, visit www.bradleycorp.com or call 800-BRADLEY (272.3539).

Product warranties and parts information may also be found under "Products" on our web site at bradleycorp.com.

NOTICE! Avoid cleansers containing organic solvents, alcohols, and hydrocarbons. Rinse with water after cleaning.

Supplies Required:

- (3) 3/8" floor anchors and bolts
- Teflon tape and pipe sealant
- Piping to 1/2" NPT water supply inlet (30–90 psi)
- Piping to 1 1/4" NPT drain outlet on unit (if included with unit)
- OPTIONAL: sign-mounting hardware



Local codes may require the installation of a backflow prevention valve to complete proper installation. Compliance with local codes is the responsibility of the installer. Valve must be tested annually to verify that it is functioning properly. Backflow prevention valves are not included with the fixture and may be supplied by the contractor or purchased from Bradley Corporation.

Halo Pre-Configured Models

Halo Model Number	Description
Eyewashes	
<input type="checkbox"/> S19214EW*	Halo Eyewash, plastic bowl
<input type="checkbox"/> S19214B*	Halo Eyewash, stainless steel bowl
Eyewashes with Dust Cover	
<input type="checkbox"/> S19214PDC*	Halo Eyewash, plastic bowl w/ dust cover
<input type="checkbox"/> S19214DC*	Halo Eyewash, stainless steel bowl & hinged dust cover
Eye-Face Washes	
<input type="checkbox"/> S19214FW*	Halo Eye/face wash, plastic bowl
<input type="checkbox"/> S19214Y*	Halo Eye/face wash, stainless steel bowl
<input type="checkbox"/> S19214P*	Halo Eye/face wash, stainless steel bowl w/ hose spray
<input type="checkbox"/> S19214YF*	Halo Eye/face wash, stainless steel bowl, hand/foot operated
Eye-Face Washes with Dust Cover	
<input type="checkbox"/> S19214PDCFW*	Halo Eye/face wash, plastic bowl w/ dust cover
<input type="checkbox"/> S19214DCFW*	Halo Eye/face wash, stainless steel bowl & hinged dust cover
All Stainless Steel Eye/Face Wash	
<input type="checkbox"/> S19214BSS	Halo stainless steel eye/face wash and bowl
<input type="checkbox"/> S19214SC	Halo stainless steel eye/face wash, bowl and cover
<input type="checkbox"/> S19214SS	Halo stainless steel eye/face wash and bowl with foot activation

* European models available. For European model number, add a Z to end of existing part number. For example, S19214EW will be S19214EWZ.

Product Configuration

Standard Selections (Must select one from each category)

Configuration

- B** 24" Drain Height
- 0** Standard, 6" Drain Height

Pipe Material

- A** NPT, Yellow BradTect Galvanized Steel
- B** NPT, All 304 Stainless Steel
- C** NPT, All 316 Stainless Steel*
- D** NPT, Chrome-Plated
- F** BSP, Yellow BradTect Galvanized Steel‡
- G** BSP, All 304 Stainless Steel‡
- J** BSP, Chrome-Plated‡

Ball Valve

- 1** Stay-Open Eyewash, Chrome-Plated Brass
- 2** Stay-Open Eyewash, 316 SS

Eyewash – Eye/Face Wash

- A** Halo Eyewash
- B** Halo Eye/Face Wash
- D** Halo Eyewash, 304 SS Yoke
- E** Halo Eye/Face Wash, 304 SS Yoke
- F** 304 SS Halo Eye/Face Wash, 304 SS Yoke
- G** Halo Eyewash, 316 SS Yoke
- H** Halo Eye/Face Wash, 316 SS Yoke
- J** 316 SS Halo Eye/Face Wash, 316 SS Yoke

Bowl and Dust Cover

- A** Plastic Bowl, No Dust Cover
- B** Plastic Bowl, Plastic Dust Cover
- D** 304 SS, No Dust Cover
- E** 304 SS, 304 SS Dust Cover
- F** 304 SS, Plastic Dust Cover
- G** 316 SS, No Dust Cover
- H** 316 SS, 316 SS Dust Cover
- J** 316 SS, Plastic Dust Cover
- 0** No Bowl or Dust Cover

Activation

- A** 304 SS Handle
- B** 316 SS Handle
- C** 304 SS Handle with Aluminum Foot Pedal*
- D** 304 SS Handle with Stainless Steel Foot Pedal*
- E** 316 SS Handle with Stainless Steel Foot Pedal*

Drench Hose and Backflow Prevention

- A** Drench Hose Kit with Vacuum Breaker
- B** Drench Hose Kit with N9 Backflow Preventer
- C** Drench Hose Kit with 9D Backflow Preventer
- D** Drench Hose Kit without Backflow Preventer
- 0** No Drench Hose and No Backflow Prevention

Freeze and Scald Protection

- N** Anti-Freeze Valve
- P** Anti-Scald Valve
- R** Anti-Freeze and Anti-Scald Valves
- 0** No Anti-Freeze Valve and No Anti-Scald Valve

* Not available with barrier-free configurations.

‡ Not available in the U.S.

NPT = National Pipe Thread

BSP = British Standard Pipe Thread

How to Specify Model and Configurations for Bradley Halo Products:

Model No. S19214

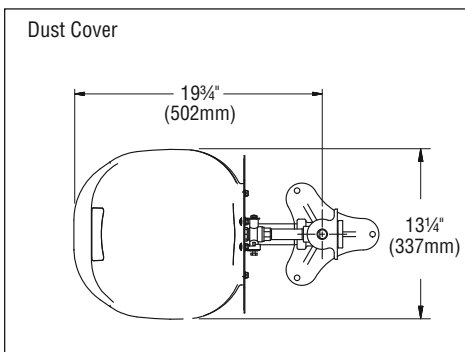
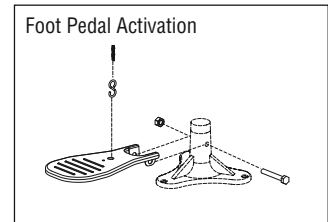
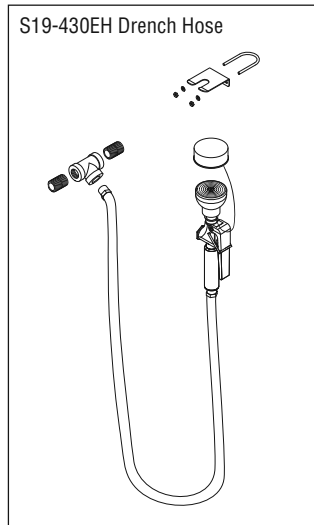
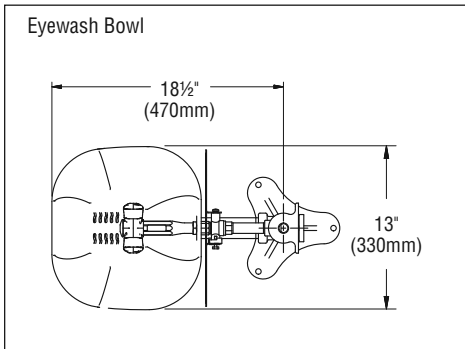
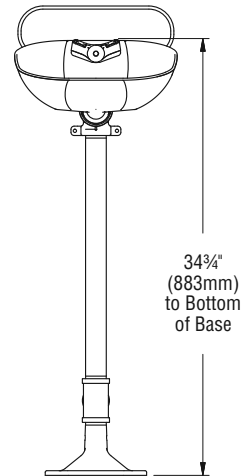
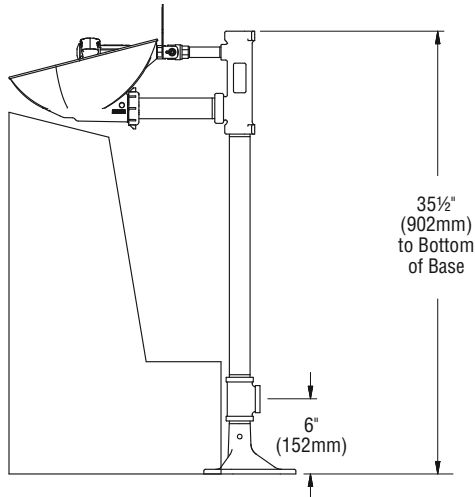


- 1. Configuration**
- 2. Pipe Material**
- 3. Ball Valve**
- 4. Eyewash – Eye/Face Wash**
- 5. Bowl and Dust Cover**


- 6. Activation**
- 7. Drench Hose and Backflow Prevention**
- 8. Freeze and Scald Protection**

Dimensions

S19214 shown with Eyewash and Plastic Bowl



Water Flow Rate	
Eyewash	4-5 1/4 gpm
Eye/Face Wash	4-5 1/4 gpm
Body Wash	2-8 gpm

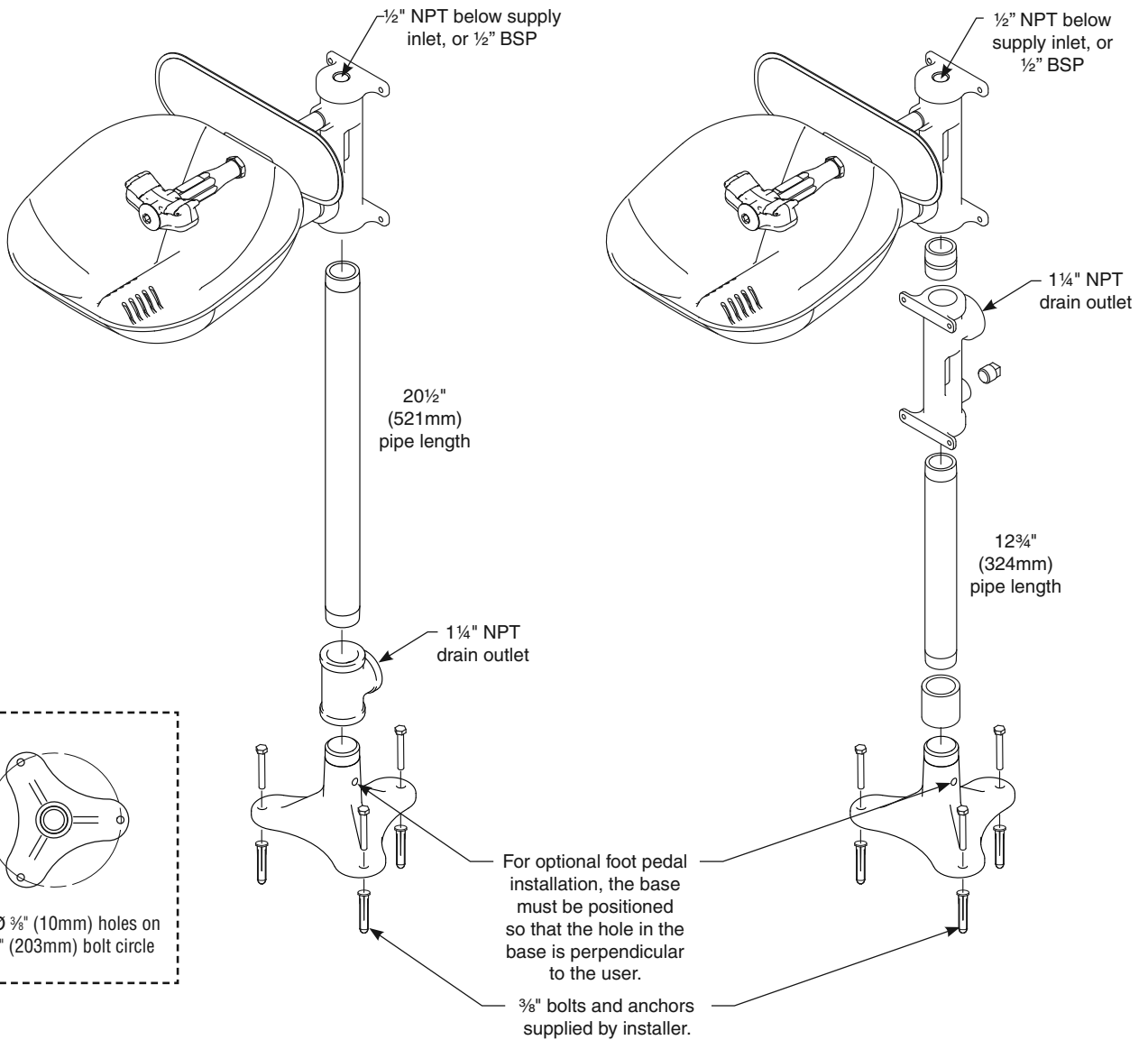
 All dimensions assume standard thread engagement. Variations in manufacturing allow for +/- 1/8" (3mm) per threaded joint. To find the tolerance of a dimension, add the number of thread joints across the length of the dimension and multiply it by 1/8" (3mm).

1 Assembly — Connect Base and Eyewash

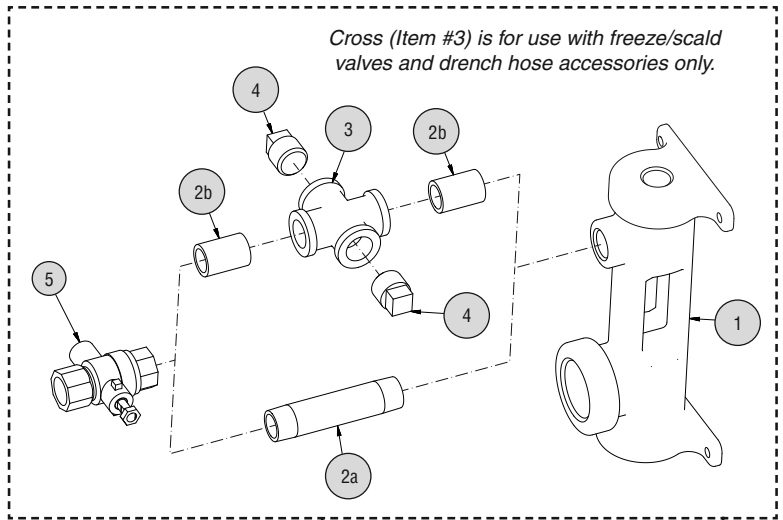
- ✓ Standard eyewash unit is shown. Other units are similar.
- ✓ Connect components before securing the base to the floor. When connecting components, use the rubber grip pad (provided) around pipes to prevent marring.
- ✓ Apply pipe sealant (supplied by installer) to all male-threaded pipe joints, making sure not to get any excess over the edge of the pipes.
- ✓ BSP = British Standard Pipe Thread (not available in the U.S.)

Halo unit with standard drain option

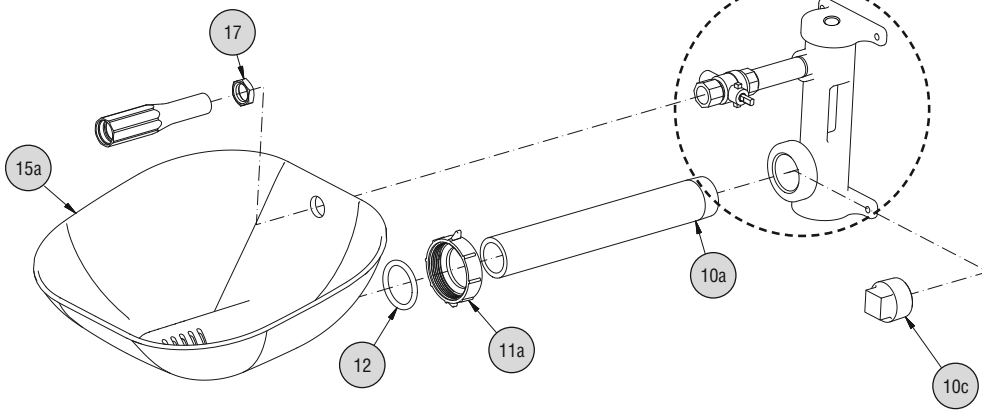
Halo unit with 24" drain option



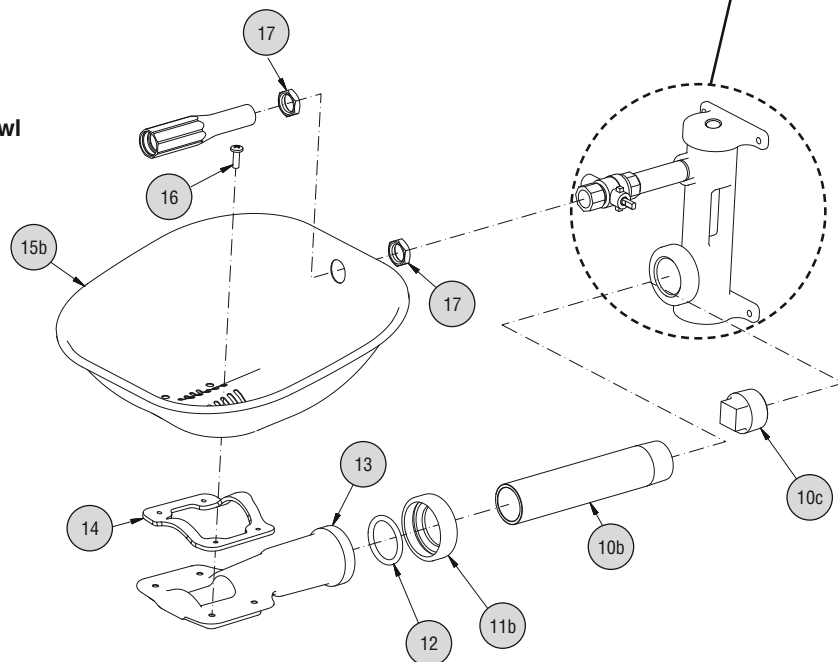
Service Parts — Hub with Bowl



Hub with Plastic Bowl



Hub with Stainless Steel Bowl



Service Parts List — Bowl and Hub

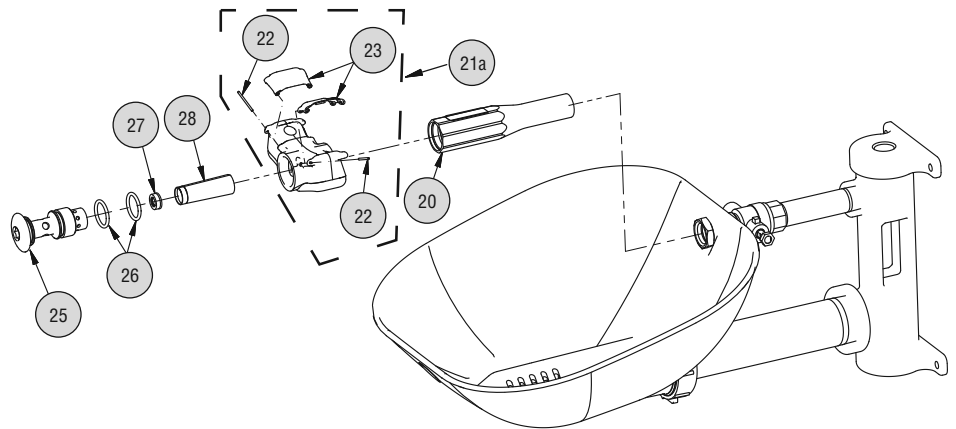
BSP = British Standard Pipe Thread (not available in the U.S.)

Item	Part No.	Qty	Description	Item	Part No.	Qty	Description
1	111-096	1	Hub	10a	113-1202	1	Pipe 1¼" x 11" thd. one end
1	111-096B	1	Hub, BSP	10a	113-1203	1	Pipe 1¼" x 11" thd. one end stn. steel
1	111-097	1	Hub stainless steel	10b	113-1204	1	Pipe 1¼" x 7" thd. one end
1	111-103	1	Hub stainless steel 316	10b	113-1205	1	Pipe 1¼" x 7" thd. one end stainless steel
1	111-098	1	Hub stainless steel polish	10b	113-1206	1	Pipe 1¼" x 7" thd. one end chrome
2a	113-006LQ	1	Pipe ½" x 3½"	10b	113-1212	1	Pipe 1¼" x 7" thd. one end stn. steel 316
2a	113-965	1	Pipe ½" x 3½" stainless steel	10c	169-724	1	Plug 1¼" painted galvanized
2a	113-1211	1	Pipe ½" x 3½" stainless steel 316	10c	269-251	1	Plug 1¼" chrome
2a	113-596	1	Pipe ½" x 3½" chrome	10c	269-238	1	Plug 1¼" stainless steel
2b	113-006LG	2	Pipe ½" x close	10c	269-1402	1	Plug 1¼" stainless steel 316
2b	113-867	2	Pipe ½" x close stainless steel	11a	110-239	1	Nut plastic, slip joint
2b	113-1210	2	Pipe ½" x close stainless steel 316	11b	110-240	1	Nut, stainless steel slip joint
2b	113-006aw	2	Pipe ½" x close chrome	11b	110-242	1	Nut, stainless steel 316 slip joint
3	169-1090	1	Cross ½"	12	125-176	1	O-ring
3	169-1091	1	Cross ½" stainless steel	13	111-099	1	Bowl mount aluminum
3	169-1098	1	Cross ½" stainless steel 316	13	111-100	1	Bowl mount aluminum painted
3	169-1097	1	Cross ½" chrome	13	111-101	1	Bowl mount stainless steel
4	300-0393	2	Plug ½" chrome	13	111-102	1	Bowl mount stainless steel 316
4	153-230	2	Plug ½" stainless steel	14	124-082	1	Bowl gasket
4	153-460	2	Plug ½" stainless steel 316	15a	187-320	1	Bowl plastic
5	S27-327	1	Ball valve ½" with nut	15b	S90-393	1	Bowl stainless steel (includes Item 14)
5	S27-328	1	Ball valve ½" ss 316 with nut	15b	S90-394	1	Bowl stn. steel 316 (includes Item 14)
5	S27-329	1	Ball valve ½" frost proof with nut	16	160-467	4	Screw
5	S27-330	1	Ball valve ½" ss 316 frost proof with nut	17	110-115a	as req'd.	Nut ½" NPSM chrome brass
5.1	110-215	1	Nut	17	110-238	as req'd.	Nut ½" NPSM stainless steel
5.1	110-248	1	Nut stainless steel 316	17	110-241	as req'd.	Nut ½" NPSM stainless steel 316

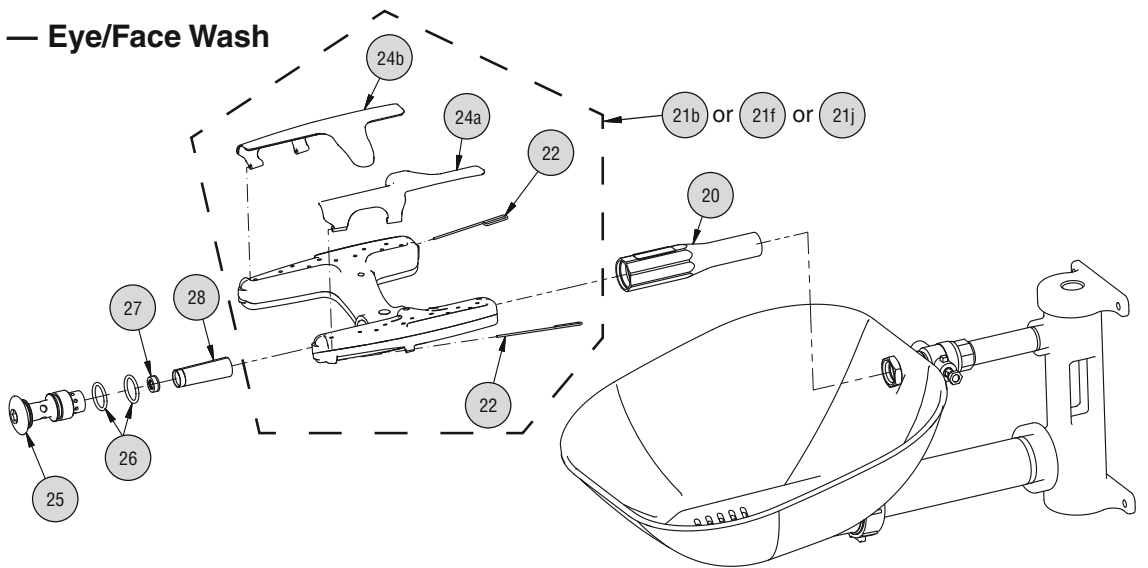
S90-395 Plastic Prepack includes items 10a, 11a, 12, 15a

300 Series SS Prepack S90-391 includes items 10b, 11b, 12, 13, 14, 15b
316 Series SS Prepack S90-392 includes items 10b, 11b, 12, 13, 14, 15b

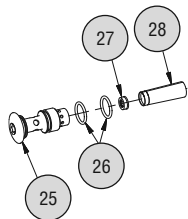
Service Parts — Eyewash



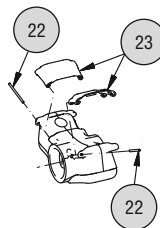
Service Parts — Eye/Face Wash



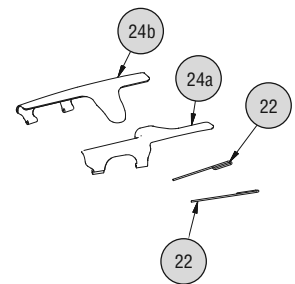
Prepack S65-339 includes items 26, 27, 28
 Prepack S88-068 includes items 25, 26, 27, 28
 Prepack S88-069 includes items 25, 26, 27, 28
 (300 series ss)
 Prepack S88-070 includes items 25, 26, 27, 28
 (316 ss)



**Eyewash Cover Prepack
 S45-2675 includes items
 22 and 23**

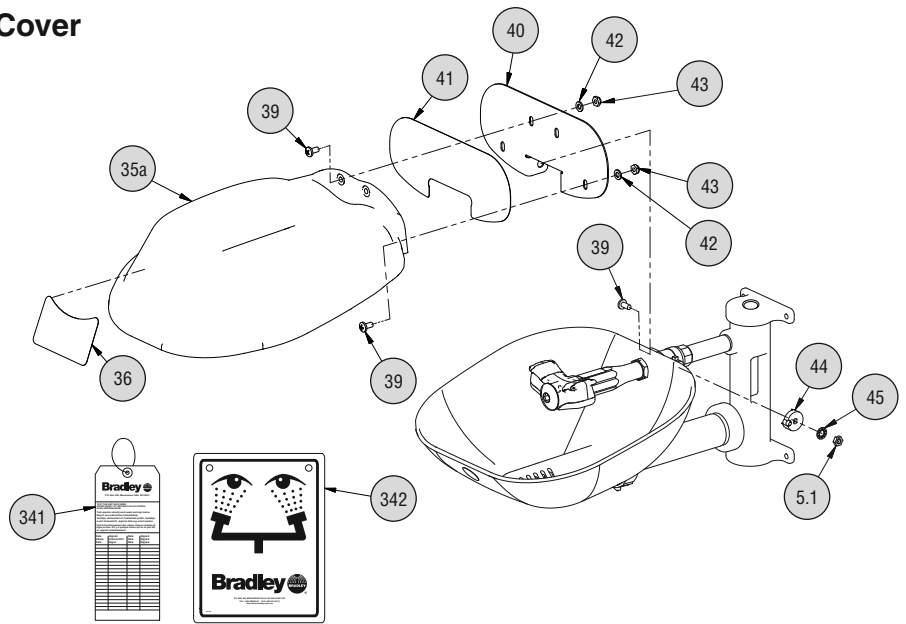
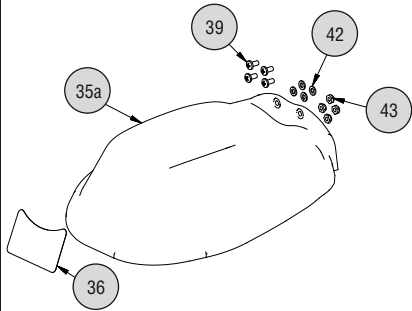


**Eye/Face Wash Cover Prepack
 S45-2676 includes items 22,
 24a and 24b**



Service Parts — Plastic Bowl Cover

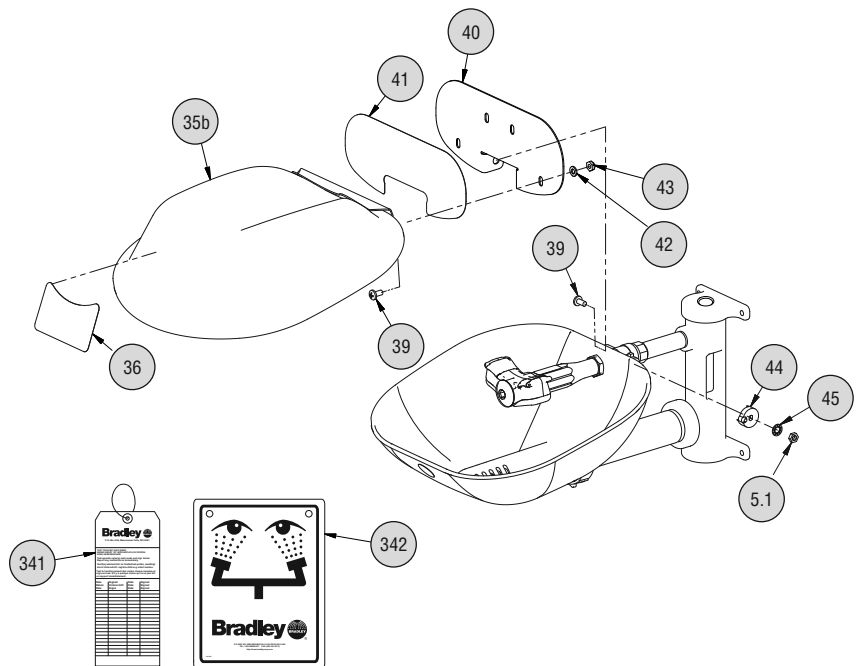
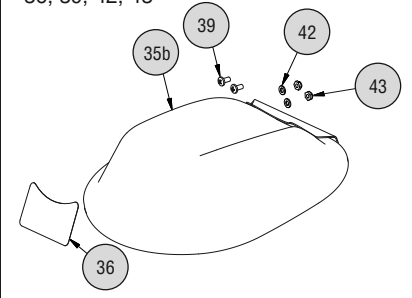
Plastic Bowl Cover Prepack S90-390 includes items 35a, 36, 39, 42, 43



Service Parts — Stainless Steel Bowl Cover

Stainless Steel Bowl Cover Prepack S90-388 includes items 35b, 36, 39, 42, 43

Stainless Steel (316) Bowl Cover Prepack S90-389 includes items 35b, 36, 39, 42, 43



Handle Prepacks include items 39, 40, 41, 44, 45, 5, 5.1

Prepack S08-390 (for units with brass ball valve)

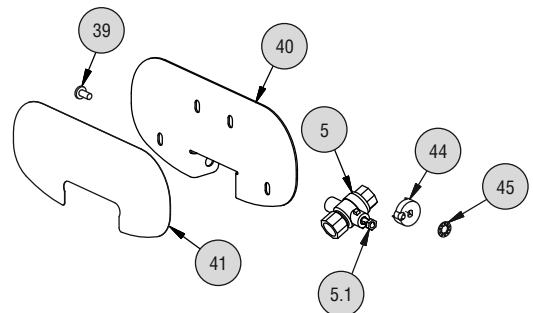
Prepack S08-391 (for units with stainless steel ball valve)

Prepack S08-392 (for units with brass frost-proof ball valve)

Prepack S08-393 (for units with stainless steel frost-proof ball valve)

Prepack S08-394 (for units with 316 stainless steel ball valve and handle)

Prepack S08-395 (for units with 316 stainless steel frost-proof ball valve and handle)



Service Parts List — Eyewashes and Bowl Covers

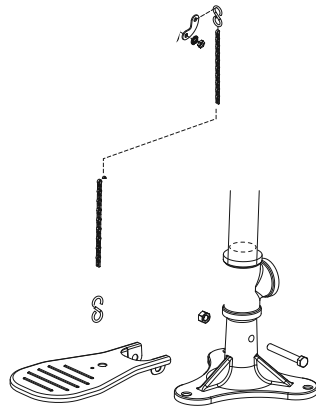
Item	Part No.	Qty	Description
20	171-001	1	Body
20	171-002	1	Body stainless steel
20	171-003	1	Body stainless steel 316
20	171-004	1	Body polished
21a	S05-190	1	Sprayhead ass'y. eyewash (includes)
22	in service kit	2	Pivot pin
23	in service kit	2	Flip cover eyewash
21b	S05-192	1	Sprayhead ass'y. eye/face wash (includes)
22	in service kit	2	Pivot pin
24a	in service kit	1	Flip cover right
24b	in service kit	1	Flip cover left
21f	S05-204	1	Sprayhead stainless steel 304 ass'y. eye/face (includes)
22	in service kit	2	Pivot pin
24a	in service kit	1	Flip cover right
24b	in service kit	1	Flip cover left
21j	S05-205	1	Sprayhead stainless steel 316 ass'y. eye/face (includes)
22	in service kit	2	Pivot pin
24a	in service kit	1	Flip cover right
24b	in service kit	1	Flip cover left
25	115-158	1	Cap
25	115-159	1	Cap stainless steel
25	115-164	1	Cap stainless steel 316
25	115-165	1	Cap polished

Item	Part No.	Qty	Description
26	125-157	2	O-ring
27	125-175	1	Flow control
28	S65-340	1	Screen (incl. 3 per pack)
35a	in service kit	1	Bowl cover plastic
35b	in service kit	1	Bowl cover stainless steel
35b	in service kit	1	Bowl cover stainless steel 316
36	114-097	1	Bowl cover decal
39	160-389	as req'd.	Screw ¼-20 x ½" stn. steel
39	160-469	as req'd.	Screw ¼-20 x ½" stn. steel 316
40	S08-385	1	Handle ss (incl. items 41, 44, 45, 5.1)
40	S08-388	1	Handle ss 316 (incl. items 41, 44, 45, 5.1)
41	114-096	1	Decal
42	142-002AV	as req'd.	Bowl cover washer
43	161-060	as req'd.	Nut stainless steel
43	161-062	as req'd.	Nut stainless steel 316
44	153-372R	1	Adapter ball valve
44	153-372R316	1	Adapter ball valve stainless steel 316
45	142-002DA	1	Lockwasher
341	204-421	1	Emergency Inspection Tag
342	114-051	1	Eyewash Safety Sign
342	114-051E	1	Eyewash Safety Sign (not available in the U.S.)

Service Parts and Parts List — Base and Drain

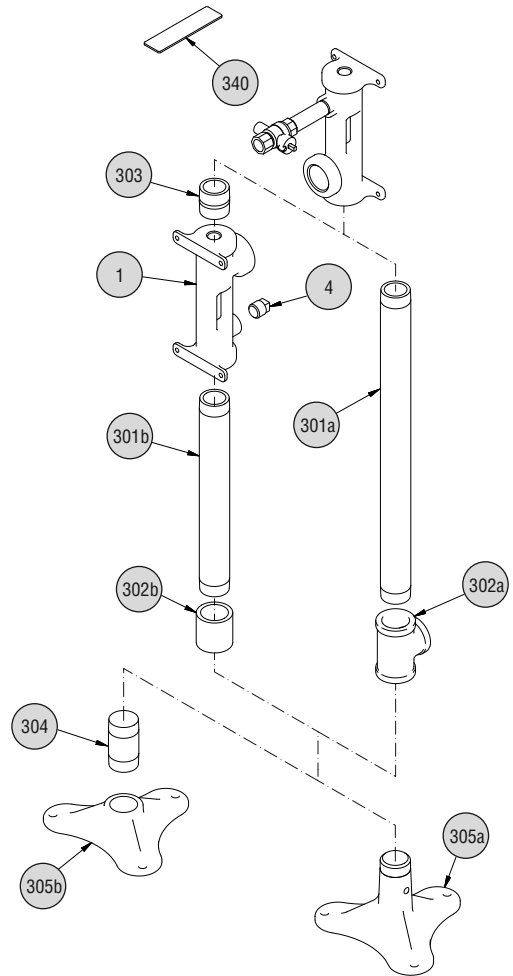
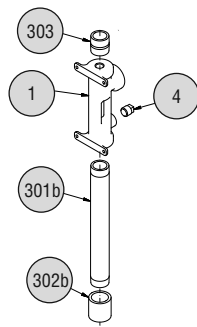
Foot Pedal kits

- S45-572 (standard foot pedal kit)
- S45-1314SS (stainless steel foot pedal kit)
- S45-1314SS16 (316 stainless steel foot pedal kit)



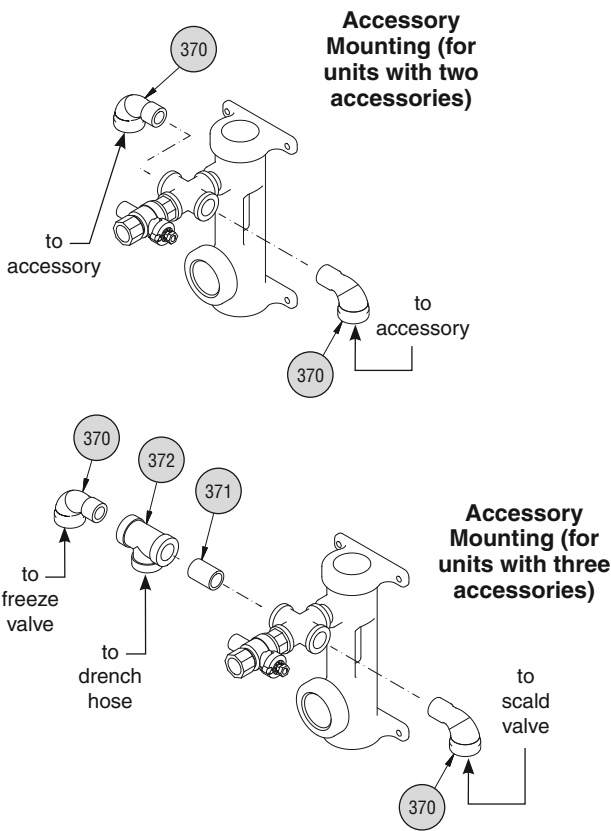
Base and Drain Kits for 24" Drains include items 1, 4, 301b, 302b, 303

- S29-098 (standard)
- S29-099 (stainless steel)
- S29-100 (316 stainless steel)
- S29-101 (chrome)

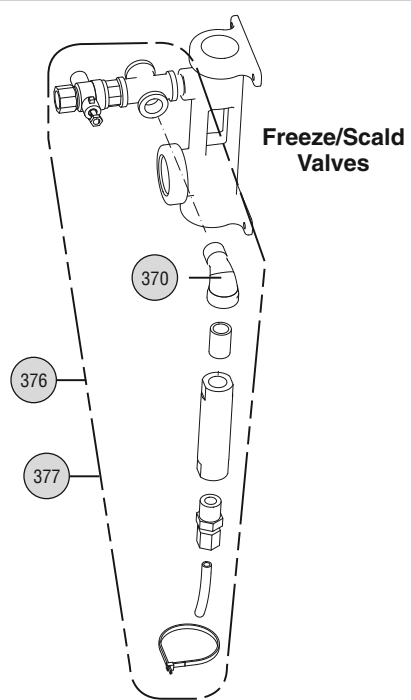


Item	Part No.	Qty.	Description	Item	Part No.	Qty.	Description
1	111-092	1	Hub	302a	269-237	1	Tee 1¼" stainless steel
1	111-093	1	Hub stainless steel	302a	269-1398	1	Tee 1¼" stainless steel 316
1	111-095	1	Hub stainless steel 316	302a	269-253	1	Tee 1¼" chrome
1	111-094	1	Hub stainless steel polish	302b	169-853	1	Coupling 1¼" galvanized
4	300-0393	2	Plug ½" chrome	302b	269-257	1	Coupling 1¼" chrome
4	153-230	2	Plug ½" stainless steel	302b	269-1048	1	Coupling 1¼" stainless steel
4	153-460	2	Plug ½" stainless steel 316	302b	269-2016	1	Coupling 1¼" stainless steel 316
301a	113-1197	1	Pipe 1¼" x 20½"	303	113-006NA	1	Pipe 1¼" x close painted galvanized
301a	113-1198	1	Pipe 1¼" x 20½" chrome	303	113-865	1	Pipe 1¼" x close stainless steel
301a	113-541	1	Pipe 1¼" x 20½" stainless steel	303	113-1223	1	Pipe 1¼" x close stainless steel 316
301a	113-1213	1	Pipe 1¼" x 20½" stainless steel 316	304	S06-189	1	Plug chrome solid
301b	113-1217	1	Pipe 1¼" x 12¾"	305a	131-059	1	Base painted
301b	113-1218	1	Pipe 1¼" x 12¾" chrome	305a	131-062	1	Base stainless steel
301b	113-1219	1	Pipe 1¼" x 12¾" stainless steel	305a	131-079	1	Base stainless steel 316
301b	113-1220	1	Pipe 1¼" x 12¾" stainless steel 316	305b	131-044	1	Base chrome
302a	169-727	1	Tee 1¼" painted galvanized	340	269-915	1	Rubber Grip Pad

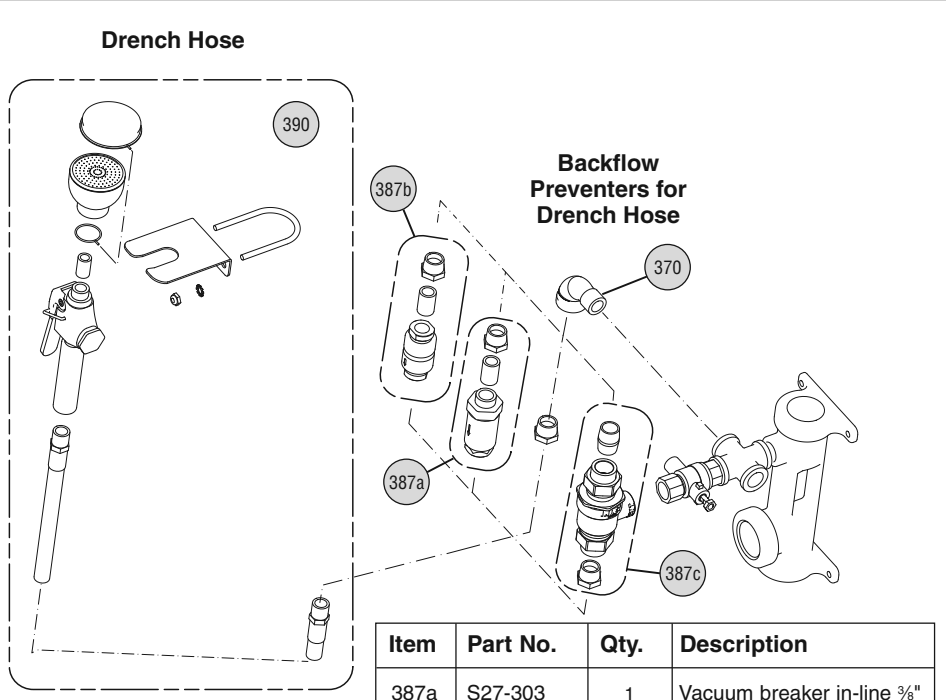
Service Parts and Parts List — Optional Accessories



Item	Part No.	Qty.	Description
370	169-025	as req'd.	Elbow 1/2"
370	269-241	as req'd.	Elbow 1/2" stainless steel
370	269-1396	as req'd.	Elbow 1/2" stainless steel 316
370	169-862	as req'd.	Elbow 1/2" chrome
371	113-006LG	1	Pipe 1/2" x close
371	113-867	1	Pipe 1/2" x close stainless steel
371	113-1210	1	Pipe 1/2" x close stainless steel 316
371	113-006AW	1	Pipe 1/2" x close chrome
372	169-838	1	Tee 1/2"
372	169-1100	1	Tee 1/2" stainless steel
372	269-280	1	Tee 1/2" chrome
372	169-1099	1	Tee 1/2" stainless steel 316



Item	Part No.	Description
376	S45-1986	Freeze Valve kit
377	S45-1989	Scald Valve kit



Item	Part No.	Qty.	Description
387a	S27-303	1	Vacuum breaker in-line 3/8"
387b	S45-2309	1	Backflow preventer N9
387c	S45-2310	1	Backflow preventer 9D
390	S19-430EH	1	Spray Kit